



Wedding Cake Serving Guide

Slices are 1x2x5 inches

All Tiers consist of 3 layers of cake and 2 layers of filling/icing.



20 SERVINGS
12 w/o top tier



38 SERVINGS
26 w/o top tier



62 SERVINGS
38 w/o top tier



44 SERVINGS
36 w/o top tier



75 SERVINGS
62 w/o top tier



100 SERVINGS
88 w/o top tier



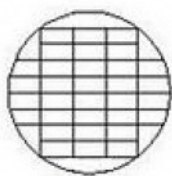
130 SERVINGS
118 w/o top tier



130 SERVINGS
118 w/o top tier



210 SERVINGS
198 w/o top tier



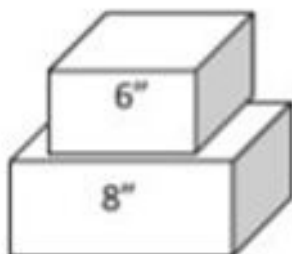
This is how you will slice your tiers to get the maximum yield.



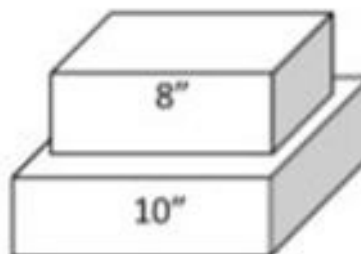
Wedding Cake Serving Guide

Slices are 1x2x5 inches

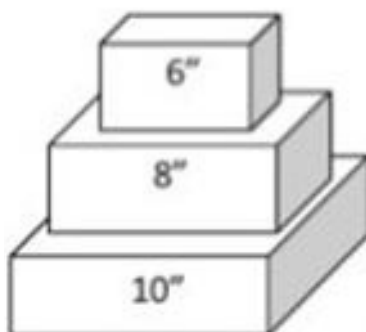
All Tiers consist of 3 layers of cake and 2 layers of filling/icing.



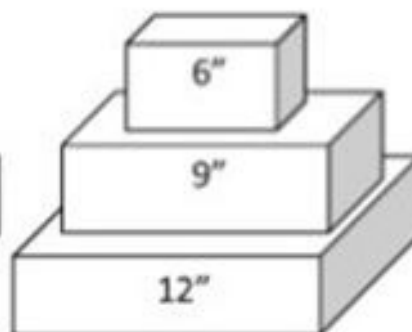
50 SERVINGS
32 w/o top tier



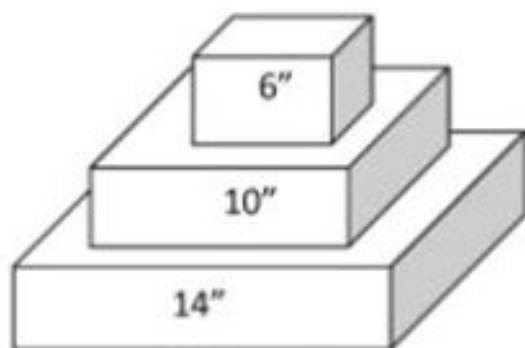
82 SERVINGS
50 w/o top tier



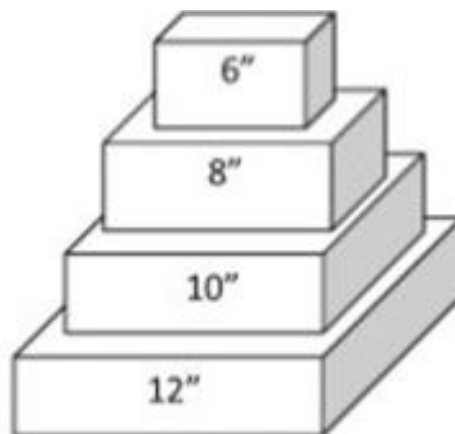
100 SERVINGS
82 w/o top tier



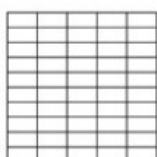
130 SERVINGS
122 w/o top tier



166 SERVINGS
148 w/o top tier



172 SERVINGS
154 w/o top tier



This is how you will slice your tiers to get the maximum yield.